



Features:

- Small volume, low weight, high efficiency
- Protections : short circuit/over load/over voltage/over temp
- Built-in cooling DC fan
- LED indicator for power on
- Can be used parallel connection
- 100% full load burn-in test
- 1 Year warranty

SPECIFICATION

Dimension: 247 × 127 × 63.5mm



| TLPZ-800W | | | | | | | |
|--------------|---------------------------|--|----------|----------|------------|----------|-----------|
| Output | DC voltage | 12V | 15V | 24V | 27V | 36V | 48V |
| | Voltage tolerance | ± 1% | ± 1% | ± 1% | ± 1% | ± 1% | ± 1% |
| | Rated current | 66A | 53A | 33A | 29.5A | 22A | 16.5A |
| | Current range | 0 ~ 66A | 0 ~ 53A | 0 ~ 33A | 0 ~ 29.5A | 0 ~ 22A | 0 ~ 16.5A |
| | Rated power | 792W | 795W | 792W | 796W | 792W | 792W |
| | Ripple&noise | 200mVp-p | 200mVp-p | 240mVp-p | 240mVp-p | 300mVp-p | 300mVp-p |
| | DC voltage ADJ. range | -9% ~ +10% | ± 10% | ± 10% | -9% ~ +10% | ± 10% | ± 10% |
| | Setup, rise, hold up time | 1000ms,50ms,20ms/230VAC | | | | | |
| Input | Voltage range | 180 ~ 264VAC 47 ~ 63Hz, 254 ~ 373VDC | | | | | |
| | AC current | 16A/115V 8A/230VAC | | | | | |
| | Efficiency | 80% | 81% | 84% | 82% | 83% | 84% |
| | Inrush current | Cold start 25A/115V 50A/230VAC | | | | | |
| | leakage current | < 3.5mA/240VAC | | | | | |
| Protection | Overload | Rated output power 115% ~ 135% Start overload protection protection type: cutoff output, recovery after restart power | | | | | |
| | Over voltage | 15 ~ 16V | 18 ~ 19V | 27 ~ 29V | 33 ~ 35V | 43 ~ 45V | 56 ~ 58V |
| | Over temperature | ≥85°C ± 5°C (TSW1 detect on heatsink of power transistor) Protection mode: cutoff output, auto-recovery after temperature become normal | | | | | |
| Environment | Working temp, humidity | -10°C ~ +60°C; 20% ~ 90%RH (Please refer to "derating curve") | | | | | |
| | Storage temp, humidity | -20°C ~ +85°C; 10% ~ 95%RH Non-condensing | | | | | |
| | Withstand vibration | 10 ~ 500Hz, 2G 10min./1Cycle, Period for 60min, Each axes | | | | | |
| Safety | Withstand voltage | I/P-O/P: 1.5KVAC I/P-FG: 1.5KVAC O/P-FG: 0.5KVAC | | | | | |
| | Isolation resistance | I/P-O/P: I/P-FG, O/P-FG: 100M Ohms/500VDC | | | | | |
| Fit standard | Safety standard | Fit UL1012 | | | | | |
| | EMC Standard | Fit EN55022, CLASSA | | | | | |
| Others | Weight | 2.1kg 247*127*63.5 (L*W*H) | | | | | |
| | Packing | 2.1kg/8pcs/18kg/0.9CUFT | | | | | |

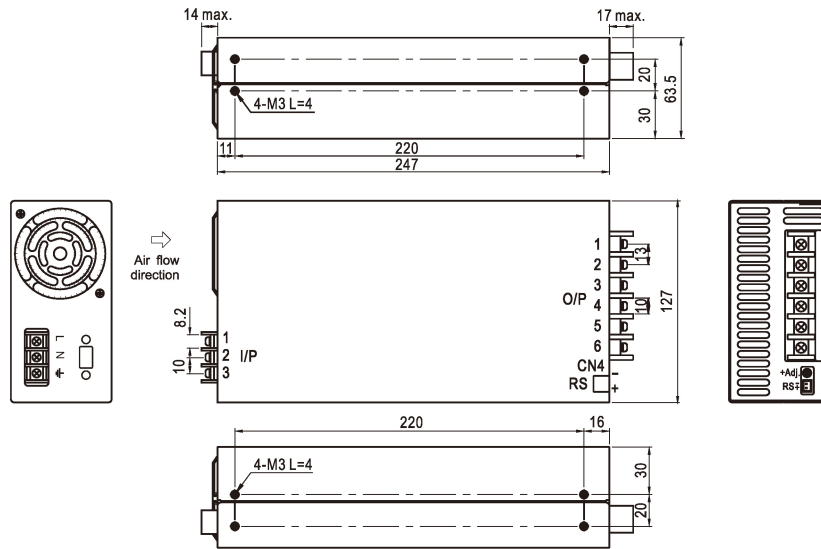
Note: 1. All parameters NOT specially mentioned are measured at 230VAC input, rated load and 25°C of ambient temperature.

2. Ripple & noise are measured at 20MHz of bandwidth by using a 12" twisted pair-wire terminated with a 0.1uf & 47uf parallel capacitor.

3. Tolerance : includes set up tolerance, line regulation and load regulation.

Mechanical specification

Unit:mm



AC input terminal

| Pin No. | Assignment |
|---------|------------|
| 1 | AC/L |
| 2 | AC/N |
| 3 | FG \perp |

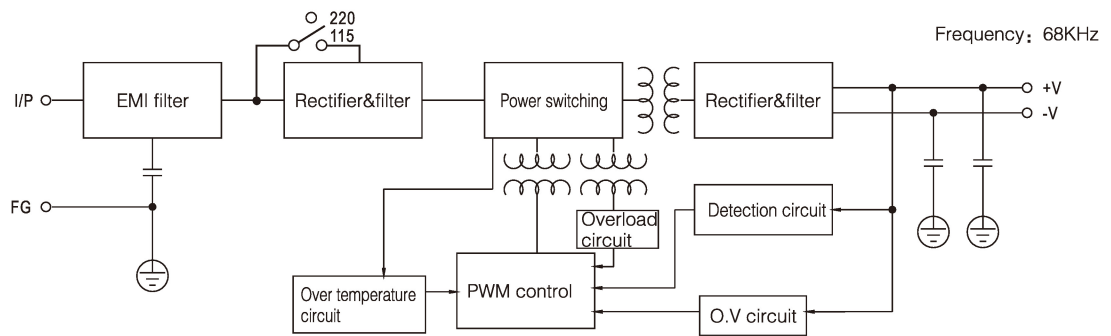
DC output terminal

| Pin No. | Assignment |
|---------|------------|
| 1~3 | +V |
| 4~6 | -V |

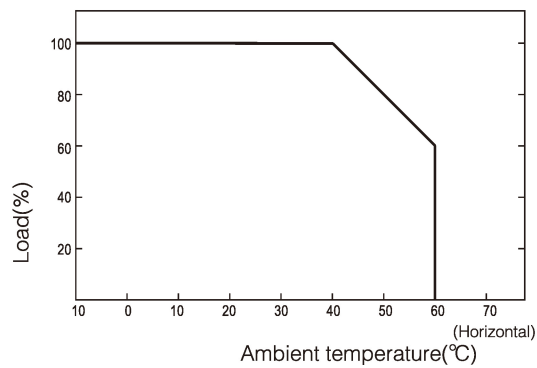
RS connector(CN4): JST B-XH or equivalent

| Pin No. | Assignment | mating housing | terminal |
|---------|------------|-----------------------|----------------------------|
| 1 | +S | JST XHP or equivalent | JST SXH-001T or equivalent |
| 2 | -S | | |

Block diagram



Derating curve



Static characteristic

